

FOXY CARBON RR, CARBON/SILVER/RED, 2021

obj. č.: 010.21085



Doporučená cena

171.599 Kč

Technické specifikace

barva rámečku carbon/silver/red	vyráběné velikosti S 380mm / M 420mm / L 470mm / XL 510mm
hmotnost 13,8 Kg	rám Foxy 29 Stealth Air full Carbon, Zero Suspension System, 150mm travel, Forward Geometry, aluminium CSC upper link with carbon bridge, Boost 12x148mm rear axle, tapered head tube, 73mm BSA bottom bracket, dedicated 1x drivetrain design, HHG internal cable routing, Enduro MAX sealed bearings, shock mudguard, ISCG 05, custom frame protectors. Optional Geometry kit: steering cups: +/- 1
vidlice Öhlins RXF 36 M.2 29, 160mm, TTX18 Twin Tube cartridge, tapered steerer tube, Boost 15x110mm axle, offset 44mm. Settings: high speed compression lever with climb mode, low-speed compression, rebound, air preload, ramp chamber	hlavové složení Onoff Titan tapered for 1-1/8 to 1-1/2 head tube, ACB sealed bearings, top 41.8x30.5x8x45x45, bottom 51.9x40x8x45x45
přehazovačka Sram GX Eagle, Type 3 roller bearing clutch, cage lock, 1x12s, X-Actuation 1:1	řazení Sram Trigger GX Eagle, 12s, X-Actuation 1:1
brzdové páčky Sram G2 RS, SwingLink, tool-free reach adjust	kliky Sram GX Eagle, Boost, DUB axle, Direct mount chain ring, S/M size: 170mm, L/XL size: 175mm
středové složení Sram DUB BSA, sealed bearings, 73mm	řídítka Onoff Krypton Carbon 0.5, rise: 12,5mm, width: 780mm, 9 backsweep, 5 upsweep, 31,8mm barbore Onoff Desert, 1lock-on, 135mm, sizes: S/M L/XL
představec Onoff Krypton FG 30mm, 6061 forged alloy, 31,8mm barbore	sedlovka Onoff Pija dropper internal, diameter 31.6mm, S size: 337x100mm, M size 387x125mm, L size: 425x150mm, XL size: 465x170mm
sedlo SDG BEL-AIR 3.0, EVA foam, steel rails	náboj přední DT 350, Boost 15x110mm, IS 6 bolts
náboj zadní DT 350, Boost 12x148mm, 36T SL Ratchet system, IS 6 bolts, XD freehub	řetěz Sram NX Eagle, 12s, Powerlock
kazeta Sram XG-1275, 10-52T, 12s	dráty DT Competition, straightpull
ráfky DT Swiss EX1700 Spline 29, 30mm internal width, welded aluminum, tubeless ready, 28 spokes	pláště Maxxis Minion DHF 29x2.5 WT, tubeless ready, 3C MAXX TERRA compound, EXO+ protection, 120TPI, folding bead

obj.c.
010.21085

tlumič

Ůhlins TTX Air 205x62.5mm. Settings: high speed compression lever with climb mode, low-speed compression, rebound, air preload. Trunnion top mount, 22.2x10mm bottom bushings

přední brzda

Sram G2 RS, 4-piston caliper, Centerline 200mm IS 6 bolts one-piece rotor, steel-backed organic pads

zadní brzda

Sram G2 RS, 4-piston caliper, Centerline 180mm IS 6 bolts one-piece rotor, steel-backed organic pads

omotávka

Maxxis Aggressor 29x2.3, tubeless ready, dual compound, Exo protection, 60TPI, folding bead

nastavení tlumiče

C20 compression, R35 rebound

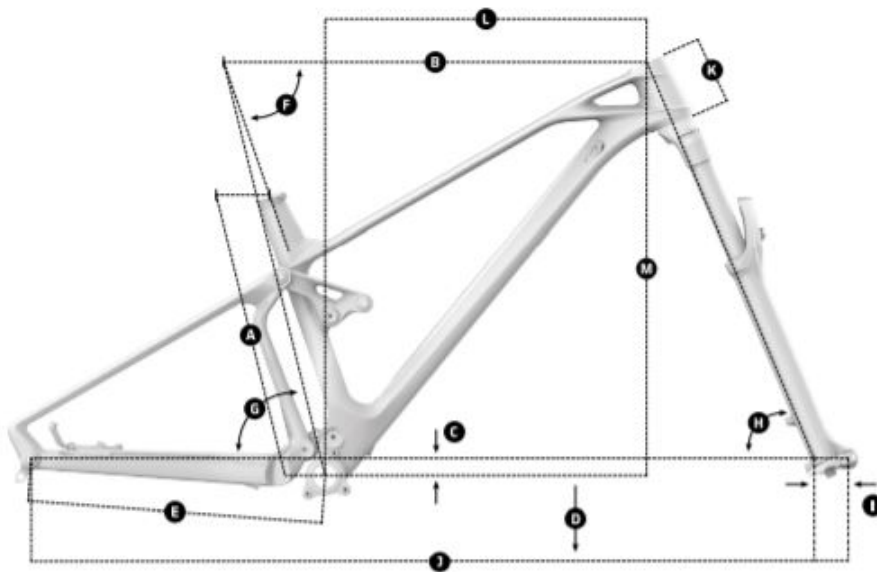
převodník

32T, CNC-machined alloy, X-SYNC 2

patka k přehazovače

Mondraker M068

Geometrie



GEOMETRY

Size	S	M	L	XL
A Seat Tube Length	380 mm	420 mm	470 mm	510 mm
B Top Tube Length	606 mm	629 mm	654 mm	678 mm
C Bottom Bracket Drop	-21 mm	-21 mm	-21 mm	-21 mm
D Bottom Bracket Height	352 mm	352 mm	352 mm	352 mm
E Chainstay Legth	435 mm	435 mm	435 mm	435 mm
F Seat Tube Angle, Actual	70.5°	70.5°	70.5°	70.5°
G Seat Tube Angle, Effective	75.5°	75.5°	75.5°	75.5°
H Head Tube Angle	66°	66°	66°	66°
I Fork Offset	44 mm	44 mm	44 mm	44 mm
J Wheelbase	1187 mm	1210 mm	1236 mm	1262 mm
K Head Tube Length	90 mm	100 mm	115 mm	130 mm
L Reach	450 mm	470 mm	490 mm	510 mm
M Stack	605 mm	614 mm	628 mm	642 mm